



INNOVATION SERIES

6" LED Commercial Downlight Module



The Innovation Series 6" Commercial Downlight Module is a configurable light engine platform that enables Light Fixture OEM's to enter the LED market without the prohibitive costs and risks associated with development or tooling.

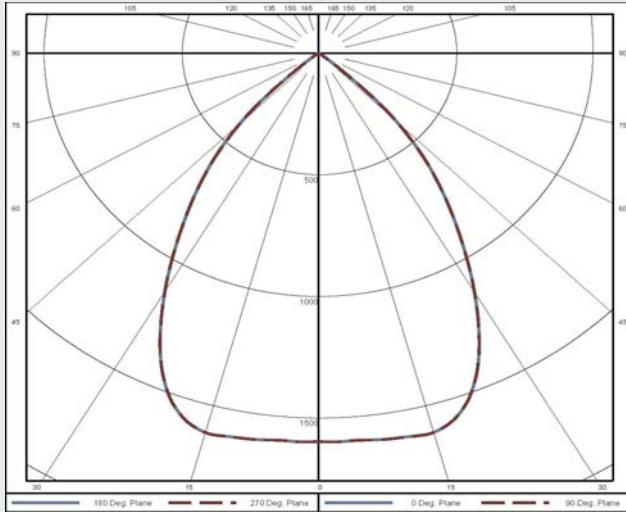
- Four basic configurations allow you to choose varying Lumen output, CCT and CRI to meet your customer's requirements.
- Heatron can customize a platform to meet your specific needs.
- Maximizes LED efficiency and L70 lifetime with Heatron's proprietary aluminum alloy thermal management system.
- Fixture efficiency is optimized by keeping waste heat from the driver away from the light engine.
 - Total Lumen output, CCT, CRI, and Efficacy can be customer specified.
 - Meets UL, EnergyStar[®] (tested per LM-79) and California Title 24
 - IES Files are available upon request.
 - 3 Year Warranty



JDHT-06WW1-CR200 Warm White	700mA/Emitter 700mA total Input	1000mA/Emitter 1000mA total Input
Lumens	1550	1957
Lumens/Watt	61.6	53.3
CRI	80.8	80.8
Watts/Tc25/Tc45/Tj25/Tj45	25.2W/51.5/71.5/64/84	36.7W/61.1/81.1/79/99
L70	25°C	80,000 + hours
	45°C	80,000 + hours
80,000 + hours	75,000 hours	
JDHT-06NW1-CR200 Neutral White	700mA/Emitter 700mA total Input	1000mA/Emitter 1000mA total Input
Lumens	1668	2116
Lumens/Watt	64.8	56.4
CRI	82.5	83.1
Watts/Tc25/Tc45/Tj25/Tj45	25.8W/52.7/72.6/65/85	37.5W/61.9/81.9/81/101
L70	25°C	80,000 + hours
	45°C	80,000 + hours
80,000 + hours	75,000 hours	
JDHT-06NW1-LU200 Neutral White	700mA/Emitter 700mA total Input	1000mA/Emitter 1000mA total Input
Lumens	1883	2412
Lumens/Watt	77.4	67.9
CRI	65.4	65.9
Watts/Tc25/Tc45/Tj25/Tj45	24.3W/50.5/70.5/62.7/82.7	35.5W/60/80/78/98
L70	25°C	80,000 + hours
	45°C	80,000 + hours
80,000 + hours	80,000 + hours	
JDHT-06NW1-BR200 Neutral White	1400 mA	2000 mA
Lumens	1844	2425
Lumens/Watt	54.9	48.7
CRI	79.4	79.6
Watts/Tc25/Tc45/Tj25/Tj45	33.6W/58/78/65/85	49.8W/73/93/83/103
L70	25°C	50,000 hours
	45°C	42,000 hours
		N/A

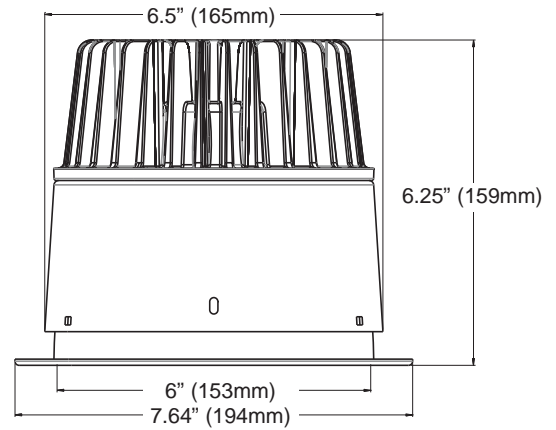
Photometry

Luminaire Testing Laboratory, Inc.



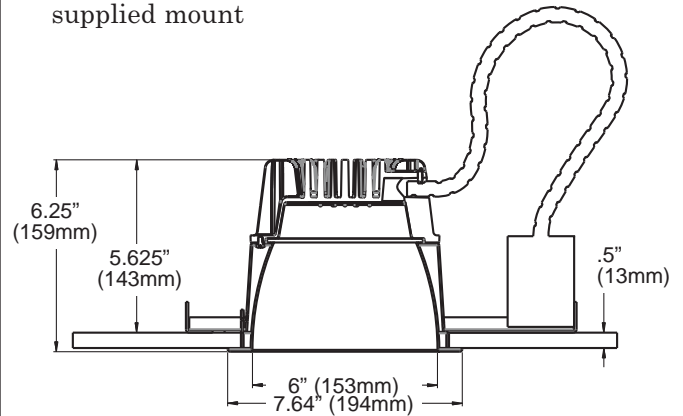
Polar Candela Distribution (candela values will vary with CCT and drive current, but pattern is typical)

Dimensions:



Dimensions:

With typical driver and customer supplied mount



Driver Recommendations	350mA Constant Current	700mA Constant Current	1000mA Constant Current
Heatron Part#	N/A	N/A	H5571
Input Voltage Range	120Vac ~ 277Vac	120Vac ~ 277Vac	120Vac ~ 277Vac
Maximum Driver Wattage	20W	40W	50W
Typical Driver Efficiency	82%	82%	88%
Dimming	Available	Available	Yes
Power Factor	> 0.9	> 0.9	> 0.9
Total Harmonic Distortion	20% Max	20% Max	20% Max
J-Box mountable	Available	Available	Yes

To request more information
E-mail sales@heatron.com or
contact your local Heatron
Sales Person.



3000 Wilson Avenue
Leavenworth, KS 66048 U.S.A.
Tel: 1.913.651.4420
Fax: 1.913.651.5352
www.heatron.com